

ASS. REC. BY:

REF:

### ASSIGNMENT

From: \_\_\_\_\_ Date: \_\_\_\_\_  
 Estimated Cost: \_\_\_\_\_  
 OD / TP / WS / TP RES / OD RES / EVA / INV / MV  
 To Inspect Vehicle No: \_\_\_\_\_  
 at Workshop m/s \_\_\_\_\_  
 of \_\_\_\_\_  
 Insured: INC  
 Policy No. \_\_\_\_\_  
 Claims No. \_\_\_\_\_  
 Sum Insured: \_\_\_\_\_ Excess: \_\_\_\_\_  
 (Client's Record)  
 Make of Veh: \_\_\_\_\_

Veh No: Sha 7875X Yr Regr: 26/106/2019  
 Type: M/Gar / M/Cycle / Bus / Van / Lorry / Fed / Private Motor /  
Truck / Trailer or  
 Make: Hyundai iunio 'cc 1580  
 Colour: Blue AC: Insured / Std / N/A  
 Sp. Reading: 537808 TyRadec: Insured / Std / N/A  
 Eng/No: \_\_\_\_\_  
 C/Nr: Kmhca51cv / KU164393  
 Gen. Cond: Good / Fair / Poor / Burnt  
 Steering: Inorder / Jammed / Leaked / Burnt or  
 Brake: Inorder / Jammed / Leaked / Burnt or  
 Modi: NO / S/Rim / STD / Air/In, or

(Policy Condition)

Remark: The veh had commenced its repair at the time of inspection.

N/S	O/S

Bot. or Market Value: \$  
 IDAC Accident Rpt: \_\_\_\_\_ Consist? Yes or No  
 GIA / PR Sect: \_\_\_\_\_ Consist? Yes or No  
 Est. Repair: 3 days Reas: Yes or No  
 Lump Sum: 20 % 3 Val: Yes or No  
 CA / REV / REP. / 24 HRS  
 Date: \_\_\_\_\_ Person Contacted: \_\_\_\_\_  
 Vehicle: IN/OUT

Tyre Size: F: 195 / 65 R15  
 R: \_\_\_\_\_  
 BS / DUN / EXNOVA / GY / FS / LZA / WC / OHSU / PR / SUM /  
 TOYO / YOKO or Wuz take  
 Front R/Bal: 5 mm Rear R/Bal: 6 mm  
 L/Bal: 5 mm L/Bal: 6 mm  
 D.O.L: 21 / 4 / 23 D.O.L: 21 / 4 / 23 / Sqa  
 Survey held at Comfort  
 Des. of Damages: Frt / Rear / O/S / N/S / WC / Rooftop or  
 The WC / Chassis frame / Body Structure affected due to collision.

Date / Time	Action / Instruction
	Balance:
	yearly:
	my:
	Nil
	Irfan finalised L \$ \$3550, 3 days. (Red \$2550.12, 42%) Nil

Date/Time, File Pass to?  : Proff. Report  
 : Final Report  
 Date/Time, File Return to? \_\_\_\_\_  
 Report Format: TP  
 Lump Sum ~~TP~~ (\$) 3550

Days Of Repair: 3  
 Resurvey No. of Trip: 1

Add Fee:  : Site Insp (\$ \_\_\_\_\_)  
 : Interview (\$ \_\_\_\_\_)  
 : Tech. Invs (\$ \_\_\_\_\_)  
 : Weekend (\$ \_\_\_\_\_)

Survey Fee:	
Transporting:	\$ + RR: \$
Phone:	
Other:	
TOTAL:	

I  
 II  
 L  
 S  
 AI  
 PE  
 OX  
 LA  
 AS  
  
 EN  
 TLI  
 TLI  
 TLI  
 OS  
 BI

am: ARC Repair TP(CLSO)1

**JOB CARD** Sales Order: 5893876

JC NO: 305552216

OMER

S COMFORT TRANSPORTATION PTE LTD  
7010045  
OMER NO. 383 SIN MING DRIVE  
ESS Singapore SINGAPORE 575717  
65508755

(R) (O)  
(P)

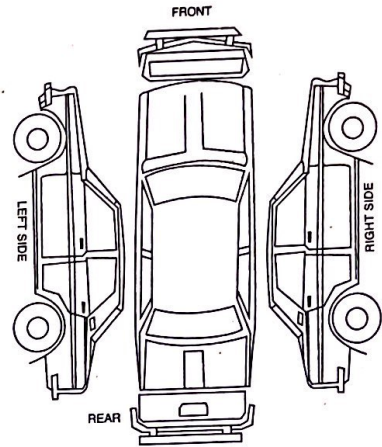
JUNT CARD NO.

REGN NO: SHA7875X	MILEAGE
MAKE: HYUNDAI	FUEL E.....1/2.....F
MODEL: IONIQ(G2)	DATE/TIME IN: 21.04.2023 10:35
YR OF MANU: 26.06.2019	TARGET DATE
CHASSIS CODE: KMHC851CVKU164393	COMPLETION DATE/TIME:

Accident Date: 21.04.2023  
INCIDENT TIME: 3P.21.04.23

JOB DESCRIPTION

NO LABOR CODE DESCRIPTION



REMOVED & PASSED OUT BY: \_\_\_\_\_

SERVICE ADVISOR

CUSTOMER'S SIGNATURE

Exit Pass

Vehicle No.: SHA7875X JU INCOME

Vehicle No.: SHA7875X

Signature/Date

Signature/Date

Name of Service Advisor

Date

Returned to Service Reception upon collection

To be kept by Security Guard