



Am: ARC Repair TP(CFS0)1

**JOB CARD** Sales Order: 5894567

JC NO: 305552880

OMER CITYCAB PTE LTD S 7010070 OMER NO. 383 SIN MING DRIVE ESS Singapore SINGAPORE 575717 65551188 (R) (O) (P)	REGN NO. <b>SHC7111G</b>	MILEAGE
	MAKE <b>TOYOTA</b>	FUEL E.....1/2.....F
	MODEL <b>PRIUS HYBRID(G4A27.04.2023 08:40)</b>	DATE/TIME IN
	YR OF MANU. <b>21.07.2022</b>	TARGET DATE
	CHASSIS CODE <b>J1DKB3FU403096776</b>	COMPLETION DATE/TIME:

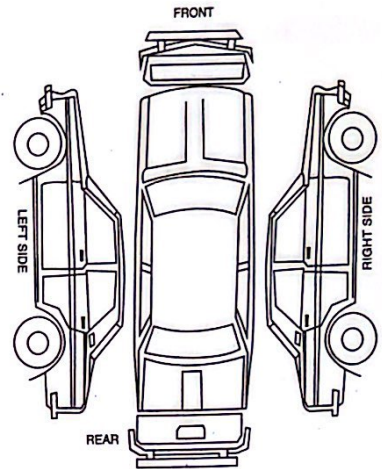
JUNT CARD NO.

JOB DESCRIPTION

Accident Date: 26.04.2023

ATURE: 3P.26.04.23

NO                      LABOR CODE                      DESCRIPTION



REKED & PASSED OUT BY: \_\_\_\_\_

\_\_\_\_\_  
SERVICE ADVISOR

\_\_\_\_\_  
CUSTOMER'S SIGNATURE

edgement Slip

lo.: **SHC7111G**                      **JU INDIA**

Exit Pass

Vehicle No.: **SHC7111G**

Service Advisor

Signature/Date

Name of Service Advisor

Date

urned to Service Reception upon collection

To be kept by Security Guard

## ComfortDelGro Engineering Pte Ltd (Co.Reg.No:199506048W)

59 Loyang Drive  
Singapore 508969  
Tel: 6214 8300

TP INSURER:  
CCPL

India International Insurance Pte Ltd (HQ)

Jumani  
P/P

Singapore

### PARTICULARS OF CLAIM

Claim Type:	THIRD PARTY	Ref. No:	
Policy No:		Date of Loss:	26/04/2023
Vehicle Reg. No.:	SHC7111G	Driveable?	
Party At Fault:	UNKNOWN		
Make/Model:	TOYOTA PRIUS TAXI, 1.8 (A)	Vehicle Reg. Date:	21/07/2022
Vehicle Colour:	YELLOW	Chassis No:	JTDKB3FU403096776
Engine No:	2ZR2R50118		
Odometer:	0 KM		
Paint Type:			
List Item Discount:	25.00 %		
Total Loss?	NO		
Est. Duration of Repair (day)	4		
Present Location:	COMFORTDELGRO ENGINEERING PTE LTD (LOYANG)		

COST OF CLAIMS	Amount
Parts	1,342.74
Miscellaneous Items	11.00
Labour	750.00
Paintwork Labour	0.00
Towing	0.00
<b>Gross Total (S\$)</b>	<b>2,103.74</b>
<b>+ GST 8.00% (S\$)</b>	<b>168.30</b>
<b>Nett Amount (S\$)</b>	<b>2,272.04</b>

This claim is handled by: JUMANI BIN MASUDIN

Generated using Merimen e-Claims Internet Estimation & Adjusting System