

COMFORTDELGRO ENGINEERING PTE LTD

✓SAS-KIV → see attached

Effective Date: 1 Nov 2020

REPAIR ESTIMATE

LKK-

DATE: 23.03.2023

YN4960H

MODEL: Hyundai Ioniq

INSURANCE: CHINA TAIPING

VEHICLE NO.: SHC2681K

MVA: LIM T S

PART NO.	DESCRIPTION	QTY	UNIT PRICE	AMOUNT
	Wing Mirror RH	1		\$ 1,391.70 <i>hand</i>
	SUB TOTAL			\$ 1,391.70
	LESS 20%			\$ 278.34
	DISCOUNTED TOTAL			\$ 1,113.36
	Labour Charge			
	Panel Beating - Frt W/S 'A' Pillar RH			\$ 400.00 <i>350</i>
	Spray Painting Charge			\$ 300.00 <i>250</i>
	Check Wirings			\$ 40.00 <i>30</i>
	TOTAL LABOUR			\$ 740.00
	ESTIMATE TOTAL			\$ 1,853.36

Handwritten notes in table:
 1113.36 (next to DISCOUNTED TOTAL)
 1743.36 (next to TOTAL LABOUR)
 4158/1400 (next to ESTIMATE TOTAL)
 2 days (next to ESTIMATE TOTAL)

This is an initial estimate based on a visual inspection of the above vehicle. The final repair quantum will be prepared after the vehicle is surveyed by a motor Surveyor appointed by the insurance company.

Handwritten notes:
 Tanjilim 97495747
 WP 23/3/23 @ 4pm
 2 days
 L/S Resurvey after repair
 tanjilim @ lkkauto.com

LKK Auto Consultants hence notify the Repairer of the following:

- To resurvey before/after spray painting
- To display damaged part(s) during resurvey
- Parts prices are subject to confirmation
- Third party survey is on a "Without Prejudice" basis
- No illegal modification(s) is allowed
- Supplementary item(s) must be resurveyed **and** is subject to final approval from insurance Company

Acknowledged by Repairer
 Signature:
 Date:

Workshops

59 Loyang Drive Singapore 508969
383 Sin Ming Drive Singapore 575717
45 Pandan Road Singapore 609286
320 Ubi Road 3 Singapore 408649

24 Senoko Loop Singapore 758156
7 Sungei Kadut Way Singapore 728791
501 Yishun Industrial Park A Singapore 768732

member of COMFORTDELGRO

Date/Time: 23.03.2023 13:36

Page : 1

am: ARC Repair TP(CLSO)1

JOB CARD Sales Order: 5890559

JC NO305549531

OMER S COMFORT TRANSPORTATION PTE LTD OMER NO 7010045 ESS 383 SIN MING DRIVE Singapore SINGAPORE 575717 65508755 (R) (O) (P)	REGN NO: SHC2681K	MILEAGE
	MAKE: HYUNDAI	FUEL E.....1/2.....F
	MODEL: TONIQ(G2)	DATE/TIME IN 23.03.2023 10:05
	YR OF MANU: 13.09.2018	TARGET DATE
	CHASSIS CODE: KMHC851CVKU107545	COMPLETION DATE/TIME:

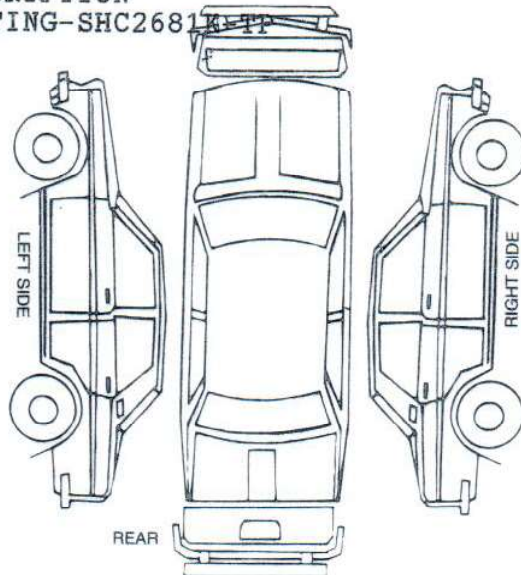
UNIT CARD NO.

JOB DESCRIPTION

cident Date: 22.03.2023
TURE: 3P 22.03.2023

NO LABOR CODE
0010 FB

DESCRIPTION FRONT
PANEL BEATING-SHC2681K-TP



ED & PASSED OUT BY:

SERVICE ADVISOR

CUSTOMER'S SIGNATURE

gement Slip

Exit Pass

SHC2681K LIMTS

Vehicle No.: SHC2681K

ervice Advisor

Signature/Date

Name of Service Advisor

Date

ted to Service Reception upon collection

To be kept by Security Guard