

**COMFORTDELGRO PTE LTD**

**REPAIR ESTIMATE\***

VEHICLE NO SHB6622K

26/10/20

MAKE :

CHIANG/AIG

MODEL IONIQ G2

| Qty | Parts Description/ Labour              | Type | Amount            |
|-----|--|------|-------------------|
| 1   | REAR BUMPER X R                        |      | \$459.40          |
| 1   | REAR BUMPER SIDE BRACKET RH /LH X      |      | \$55.80           |
|     |  |      | \$22.00           |
| 10  | REAR BUMPER CLIPS X                    |      | \$294.80          |
| 1   | REAR BUMPER REINFORCEMENT ?            |      | \$138.10          |
| 1   | REAR BUMPER REINFORCEMENT BRACKET X    |      | \$276.20          |
| 1   | REAR BUMPER LOWER MOULDING - CUT (low) |      | \$155.00          |
| 1   | REAR BUMPER FOG LAMP ?                 |      | \$201.50          |
| 1   | REAR BUMPER CENTRE MOULDING - CUT      |      | \$451.25          |
| 1   | REAR BUMPER REFLECTOR RH/ LH X         |      | \$31.90           |
|     |  |      | \$63.80           |
| 1   | REAR FLOOR UNDER X                     |      | \$225.00          |
| 1   | SMART KEY ANTENNA ?                    |      | \$665.40          |
| 1   | REAR BUMPER TOW COVER X                |      | \$98.80           |
|     | <b>SUB TOTAL</b>                       |      | <b>\$3,024.75</b> |
|     | 20.00%                                 |      | \$604.95          |
|     | <b>DISCOUNTED TOTAL</b>                |      | <b>\$2,419.80</b> |
|     |  |      |                   |
| 1   | REAR NUMBER PLATE/W HOLDER - OR        |      | \$50.00           |
| 1   | REAR REVERSE SENSOR - OR               |      | \$180.00          |
|     |  |      | \$230.00          |
|     |  |      |                   |
|     | <b>Labour Charge</b>                   |      |                   |
|     | Panel Beating                          | 320  | \$650.00          |
|     | Spray Painting Charge                  | 200  | \$400.00          |
|     | Check wiring                           | 30   | \$60.00           |
|     | Tuff Kote                              | X    | \$60.00           |
|     | Remove/refix Reverse sensor            | X    | \$60.00           |
|     | <b>TOTAL LABOUR</b>                    |      | <b>\$1,230.00</b> |
|     |  |      |                   |
|     | <b>ESTIMATE TOTAL</b>                  |      | <b>\$4,256.68</b> |

This is an initial estimate based on a visual inspection of the above vehicle. The final repair quantum will be prepared after the vehicle is surveyed by a motor Surveyor appointed by the insurance company.

Steve (LKK) in PL  
 26/10/20, 11:30a  
 2 days  
 P/P  
 My Be sy

LKK Auto Consultants hence notify the Repairer of the following:

- To resurvey before/after spray painting
- To display damaged part(s) during resurvey
- Parts prices are subject to confirmation
- Third party survey is on a "Without Prejudice" basis
- No illegal modification(s) is allowed
- Supplementary item(s) must be resurveyed and is subject to final approval from Insurance Company

Acknowledged by Repairer  
 Signature:  
 Date:

# COMFORTDELGRO ENGINEERING

A member of COMFORTDELGRO

## ComfortDelGro Engineering Pte Ltd

205 Braddell Road Singapore 579701  
Mainline + 65 6383 6280 Facsimile + 65 6280 9755

### Workshops

59 Loyang Drive Singapore 508969  
383 Sin Ming Drive Singapore 575717  
45 Pandan Road Singapore 609286  
320 Pandan Road Singapore 609444

24 Senoko Loop Singapore 758156  
7 Sungai Kadut Way Singapore 728791  
501 Vishnu Industrial Park A Singapore 768732

Date/Time: 26.10.2020 10:14 Page : 1

Team: ARC Repair TP(CLSO)1

**JOB CARD** Sales Order:

JC NO.:305429971

|   |                                |                               |
|---|--------------------------------|-------------------------------|
| CUSTOMER<br>COMFORT TRANSPORTATION PTE LTD<br>7010045<br>383 SIN MING DRIVE<br>Singapore SINGAPORE 575717<br>65508755<br>(R) (O)<br>(P) | REGN NO: SHB6622K              | MILEAGE                       |
|   | MAKE: HYUNDAI                  | FUEL<br>E.....1/2.....F       |
|   | MODEL IONIQ(G3)                | DATE/TIME IN 24.10.2020 17:00 |
|   | YR OF MANU. 16.01.2020         | TARGET DATE                   |
|   | CHASSIS CODE KMHC851CVLU188722 | COMPLETION DATE/TIME:         |

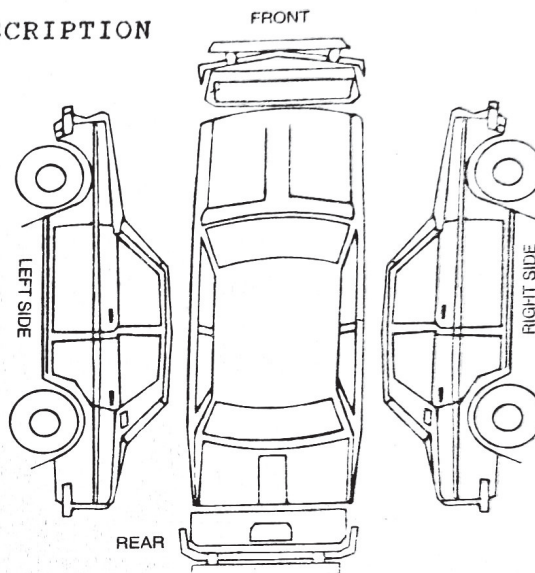
*AWG*

COUNT CARD NO.

### JOB DESCRIPTION

Accident Date: 24.10.2020  
NATURE: 3P 24.10.2020

S/NO LABOR CODE DESCRIPTION



CHECKED & PASSED OUT BY: \_\_\_\_\_

SERVICE ADVISOR

CUSTOMER'S SIGNATURE

Confirmation Slip

Exit Pass

No.: SHB6622K

CHIANG

Vehicle No.: SHB6622K

Signature of Service Advisor

Signature/Date

Name of Service Advisor

Date

Returned to Service Reception upon collection

To be kept by Security Guard